

Contact 6 PLUS System

NMEA2000



CZone’s first affordable digital switching system. Simple installation with out-of-the-box plug-and-play configurations, the Contact 6 PLUS System brings powerful and trusted CZone digital switching technology to a very attractive price point.

Features & Benefits

- » Circuit dimming & smooth start capability
- » Status LED’s for all outputs
- » Ultra low current draw
- » Built in timer functions for circuits like live bait tanks
- » Voltage monitoring on the NMEA2000 network
- » Load Shedding allows non-essential loads to be turned off to preserve battery life
- » Built in default configurations selectable via dip switch
- » Affordable add on module to larger CZone systems
- » Blown fuse detection and warning

Part Numbers

| | |
|----------------|-------------------------------------|
| 80-911-0160-00 | CZONE CONTACT 6 PLUS INTERFACE |
| 80-911-0162-00 | CZONE WATERPROOF KEYPAD (LANDSCAPE) |
| 80-911-0163-00 | CZONE WATERPROOF KEYPAD (PORTRAIT) |

Accessories:

| | |
|----------------|---|
| 80-911-0171-00 | CZONE 2 MODULE SMART HARNESS |
| 80-911-0172-00 | CZONE 3 MODULE SMART HARNESS |
| 80-911-0174-00 | CZONE WATERPROOF KEYPAD SPARE PARTS KIT |
| 80-911-0179-00 | CONTACT 6 PLUS CONNECTOR & SEAL KIT |

Contact 6 PLUS

- » Affordable digital switching module
- » Plug-and-play out of the box configurations
- » 6 x 15A Outputs with PWM dimming
- » Equipped with advanced core CZone feature set like timers and Modes
- » ABYC compliant ignition protected fusing with mechanical circuit bypass
- » Accepts 24 - 8 AWG output wire
- » Parallel multiple circuits for higher output



Contact 6 PLUS
80-911-0160-00

Waterproof Keypads

- » IPX7 submersible keypads
- » Circuit in operation LED's with blown fuse indication
- » Dimmable RGB circuit backlighting
- » Low profile with 3 mounting options - front, rear and flush mount
- » Easy 2 1/16" (52mm) hole saw installation with single plug connection



Landscape
80-911-0162-00

Portrait
80-911-0163-00

Smart Harness

- » All-in-one Smart Harness for straight forward plug-and-play installation
- » Not required when connecting to NMEA2000 Network
- » Removes expensive network cables
- » Robust solution with minimal connection points



2 Module Smart Harness
80-911-0171-00



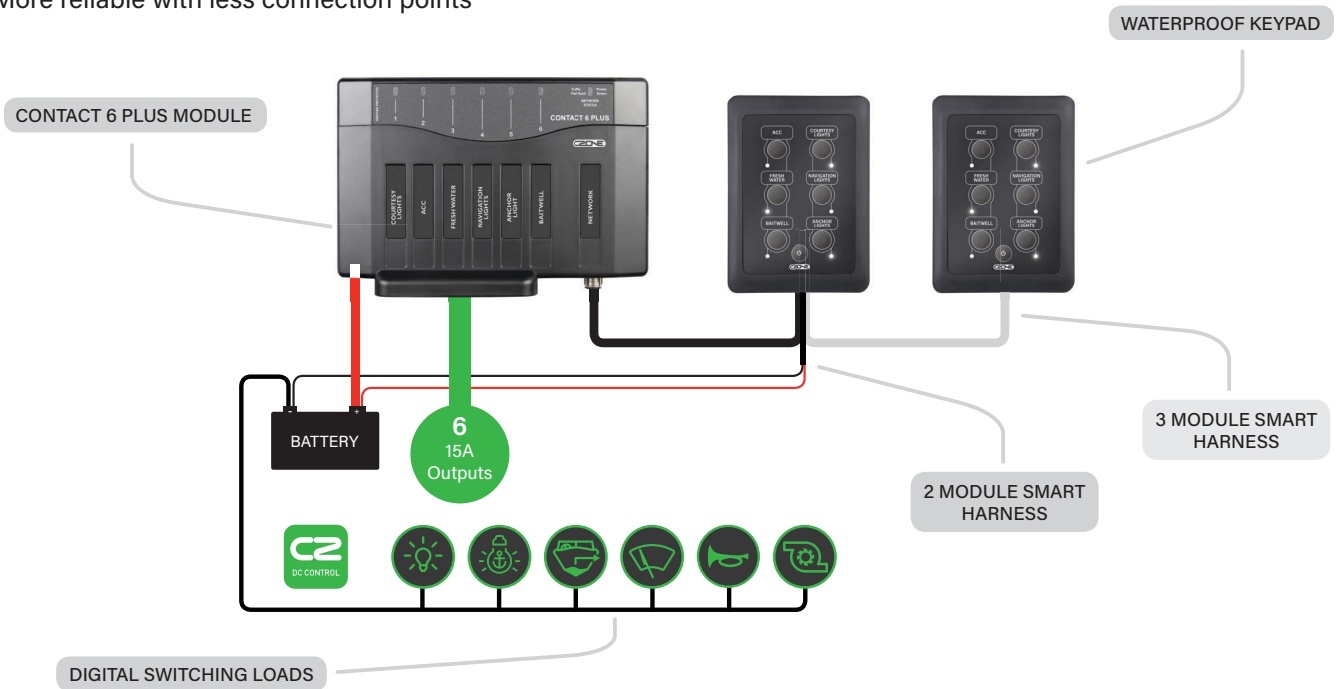
3 Module Smart Harness
80-911-0172-00

System Example

Standalone

The Contact 6 PLUS and Waterproof Keypad can be networked using the Smart Harness without the need for a full NMEA2000 Network backbone. The Smart Harness is available in 2 and 3 module versions which are perfect for a Contact 6 PLUS Module and 1 or 2 Waterproof Keypads providing 6 or 12 switch positions.

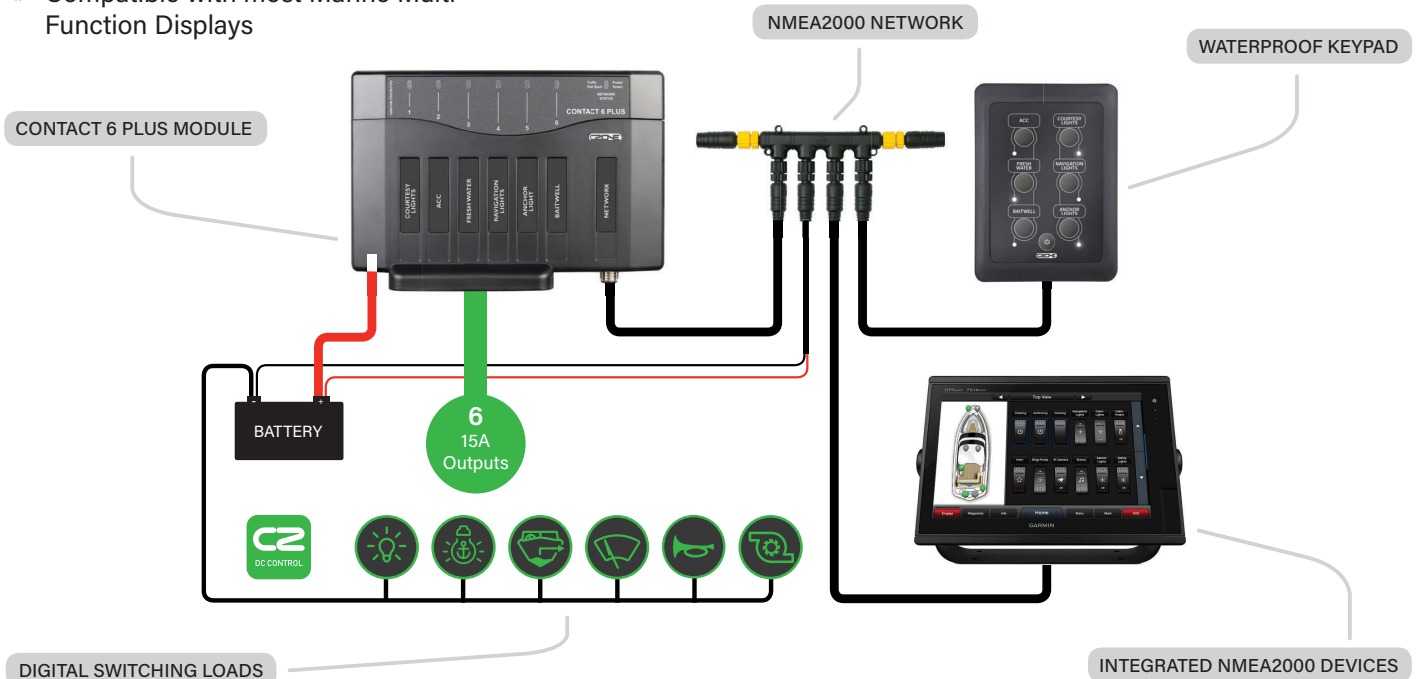
- » No NMEA2000 Network backbone required
- » Cost effective and simple installation
- » More reliable with less connection points



Networked

The Contact 6 PLUS and Waterproof Keypad are fully NMEA2000 compatible and can be used as low cost components of a larger CZone installation with a full network backbone. In a networked installation the NMEA2000 backbone replaces the Smart Harness.

- » Low cost addition to a larger installation
- » Compatible with most Marine Multi-Function Displays



DC Module Comparison Guide



| | Contact 6 Fused | Contact 6 Non Fused | Contact 6 PLUS | Output Interface (OI) | Control 1 | Combination Output Interact (COI) |
|-------------------------------|-----------------------|---------------------|-------------------|-----------------------|--|--|
| Mechanical Fuse | ✓ PTC (auto-reset) | | ✓ ATC | ✓ ATC | ✓ ATC | ✓ ATC |
| Tripped Fuse Detection | | | ✓ | ✓ | ✓ | ✓ |
| Circuit Bypass | ✓ Electronic | ✓ Electronic | ✓ Mechanical | ✓ Mechanical | ✓ Mechanical | ✓ Mechanical |
| Current Sensing | | | | ✓ | | ✓ |
| Software Fusing | | | | ✓ | | ✓ |
| Dimming (PWM) | | | ✓ All Channels | ✓ All Channels | ✓ Low Current Outputs | ✓ Low Current Outputs |
| Low Current Outputs | 6 x 7.5A | 6x 9A | | | 12 x 10A | 12 x 10A |
| High Current Outputs | | | 6 x 15A | 6 x 20A | 4 x 25A With Bilge Pump Running Detection | 4 x 25A With Bilge Pump Running Detection |
| Negative Output Switching | ✓ Per Circuit | ✓ Per Circuit | | | | |
| Reverse Motor Control | ✓ | ✓ | | | | |
| Analogue/Digital Inputs | | | | | 8 0-1000, 0-32V. 4-20mA, Pos & Neg Switch | 8 0-1000, 0-32V. 4-20mA, Pos & Neg Switch |
| Backlit Digital Switch Inputs | | | | | | 6 Requires DSB Module |
| Output Voltage | 12V | 12/24V | 12/24V | 12/24V | 12/24V | 12/24V |